

TSUBAKIMOTO CHAIN CO.

Nakanoshima Mitsui Building
3-3-3 Nakanoshima, Kita-ku
Osaka, 530-0005, Japan
URL : <http://tsubakimoto.com>

Group companies

NORTH and SOUTH AMERICA

U.S. TSUBAKI POWER TRANSMISSION, LLC
301 E. Marquardt Drive, Wheeling, IL 60090, U.S.A.
Phone : +1-847-459-9500
URL : <http://ustsubaki.com/>

TSUBAKI of CANADA LIMITED
1630 Drew Road, Mississauga, Ontario, L5S 1J6, Canada
Phone : +1-905-676-0400
URL : <http://tsubaki.ca>

TSUBAKI BRASIL EQUIPAMENTOS INDUSTRIAIS LTDA.
R. Pamplona, 1018, CJ. 73/74, Jd. Paulista
CEP 01405-001, São Paulo, S.P. Brazil
Phone : +55-11-3253-5656
URL : <http://tsubaki.ind.br>

EUROPE

TSUBAKIMOTO EUROPE B.V.
Aventurin 1200, 3316 LB Dordrecht, The Netherlands
Phone : +31-78-620-4000
URL : <http://tsubaki.eu>

TSUBAKI KABELSCHLEPP GmbH
Daimlerstraße 2
D-57482 Wenden-Gerlingen
Phone: +49 (0)2762/4003-0
URL: <http://kabelschlepp.de/>

TSUBAKIMOTO U.K. LTD
Osier Drive, Sherwood Park, Annesley, Nottingham
NG15 0DX, United Kingdom
Phone : +44-1623-688-700
URL : <http://tsubaki.eu>

TSUBAKI DEUTSCHLAND GmbH
ASTO Park Oberpfaffenhofen, Friedrichshafener Straße 1
D-82205, Gilching, Germany
Phone : +49-8105-7307100
URL : <http://tsubaki.de/>

OOO TSUBAKI KABELSCHLEPP
Prospekt Andropova 18, Building 6
115432 Moscow, Russia
Phone : +7-499-418212
URL : <http://kabelschlepp.ru/>

ASIA and OCEANIA

TAIWAN TSUBAKIMOTO CO.
No. 33, Lane 17, Zhiciang North Road
Gueishan Township, Taoyuan County, Taiwan R.O.C.
Phone : +886-3-3293827/8/9
URL : <http://tsubakimoto.com.tw>

TSUBAKIMOTO CHAIN (SHANGHAI) CO., LTD.
Room 601, Urban City Centre, 45 Nanchang Road
Huangpu District, Shanghai 200020, People's Republic of China
Phone : +86-21-5396-6651/2
URL : <http://tsubaki.cn/>

TSUBAKIMOTO KOREA CO., LTD.
#1004-1005 East Wing, Hanshin Intervalley 24,
322, Yeoksam-dong, Teheran-ro, Gangnam-gu, Seoul 1004,
Republic of Korea
Phone : +82-02-2183-0311
URL : <http://tsubakimoto-tck.co.kr>

TSUBAKIMOTO SINGAPORE PTE. LTD.
25 Gul Lane, Jurong, Singapore 629419
Phone : +65-6861-0422/3/4
URL : <http://tsubaki.sg>

TSUBAKIMOTO SINGAPORE PTE. LTD.
VIETNAM REPRESENTATIVE OFFICE
H&H Building 8F, 209 Hoàng Văn Thu
Phủ Nhuận District, Hồ Chí Minh City, Vietnam
Phone : +84-8-3999-0131/2
URL : <http://tsubaki.net.vn/>

TSUBAKIMOTO (THAILAND) CO., LTD.
388 Exchange Tower, 19th Floor Unit 1902
Sukhumvit Road, Klongtoey, Bangkok 10110, Thailand
Phone : +66-2-262-0667/8/9
URL : <http://tsubaki.co.th>

TSUBAKI INDIA POWER TRANSMISSION PTE, LTD.
Shri Kailash Logicity, No. 165, Venbakkam Village
Pannuti Post, Walajabad Road, Oragadam,
Kancheepuram 631604
Tamil Nadu, India
Phone : +91-44-4804400
URL : <http://tsubaki.in/>

PT. TSUBAKI INDONESIA TRADING
Wisma 46 - Kota BNI, 24th Floor, Suite 24.15
Jl. Jend. Sudirman, Kav. 1, Jakarta 10220, Indonesia
Phone : +62-21-571-4230/31
URL : <http://tsubakimoto.co.id/>

TSUBAKI POWER TRANSMISSION (MALAYSIA) SDN. BHD.
No. 22, Jalan Astaka U8/84A,
Bukit Jelutong Industrial Park
Section U8, 40150 Shah Alam, Selangor, Malaysia
Phone : +60-3-7859-8585
URL : <http://tsubaki.sg>

TSUBAKI AUSTRALIA PTY. LTD.
Unit E, 95-101 Silverwater Road
Silverwater NSW 2128, Australia
Phone : +61-02-9704-2500
URL : <http://tsubaki.com.au>

TSUBAKI AUSTRALIA PTY. LTD.
NEW ZEALAND BRANCH
2 Kalmia Street, Ellerslie, Auckland 1051, New Zealand
Phone : +64-275-082-726
Phone : <http://tsubaki.com.au>

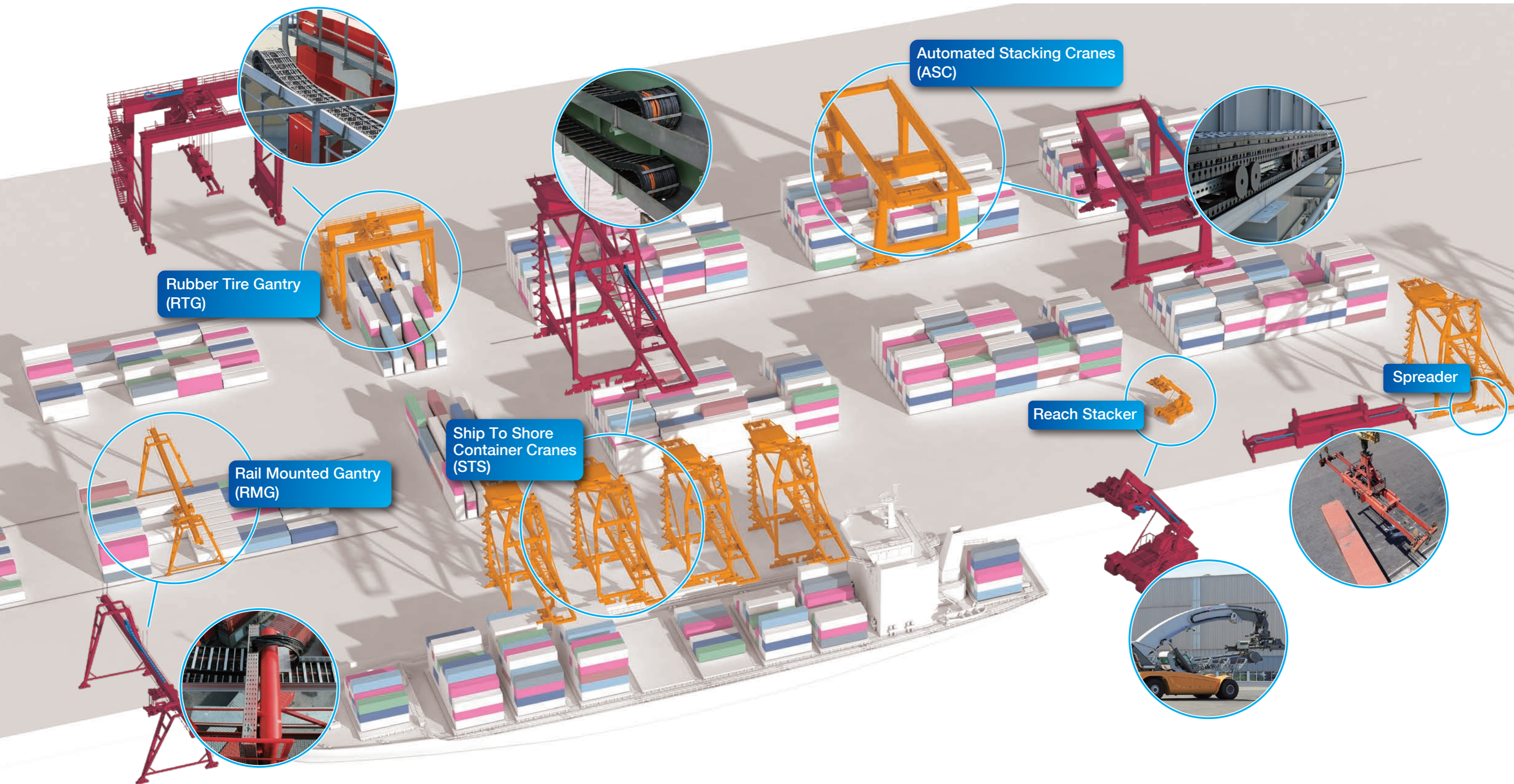
Distributed by:

**Power and Performance
for the Port Industry**

Innovative Solutions for the Port and Crane Industry

Time is money in the port industry, and every delay means less profit. High quality, high precision power transmission and conveyor components are a key part of your operations. With nearly a century of successful manufacturing

know-how and technical expertise, Tsubaki can provide the best solution to keep port operations running reliably and total cost of ownership down. Put the Tsubaki Advantage to work for you.



Hose and Cable Carrier Systems

INNOVATIVE SOLUTIONS FOR THE CRANE INDUSTRY

Proven systems – tested under real conditions

TRAXLINE®

High-Flex Crane Cables – 700 Series

Developed for

- Long travel length crane applications
- Offshore / onshore applications
- High speed
- - 35°C to + 90°C
- Very high electrical voltages
- High acceleration
- Outdoor / indoor use
- Small bend radii

Properties

- High-flex design
- Crude oil resistant
- CFC-free
- Side force resistant
- Flame-retardant
- Conforms to RoHS II
- Seawater resistant
- Cut resistant
- Marked in meters
- Ozone resistant
- Halogen-free
- Mud resistant
- UV-stable
- Silicone-free

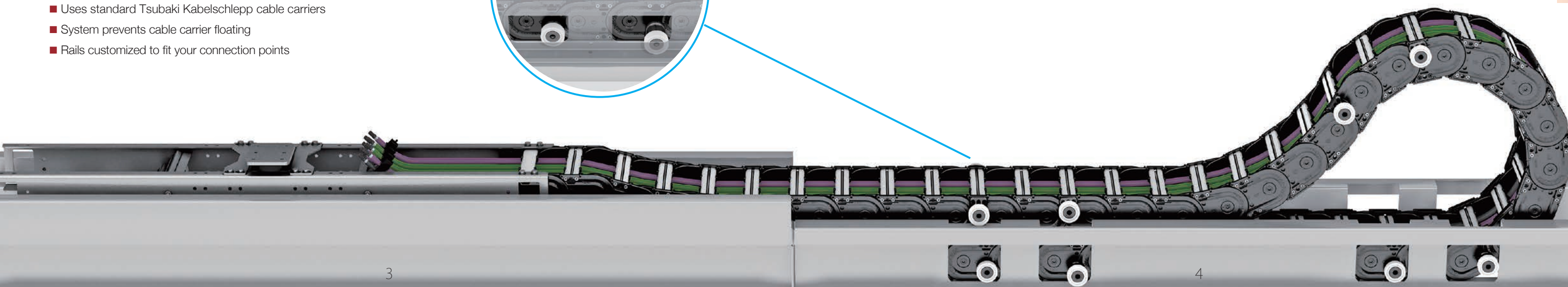
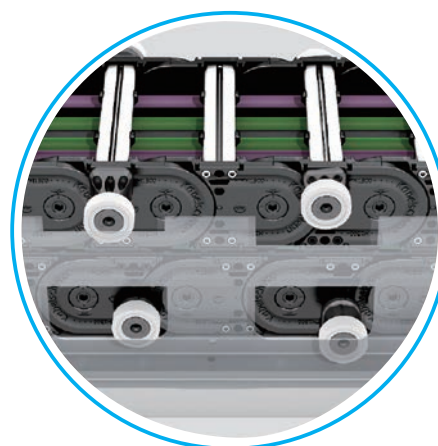


Testing facility for all cable carrier types

- Capable of testing two independent cable carrier systems
- Can test travel lengths over 100 meters
- Can test both gliding and rolling systems
- High speed (5m/s) testing

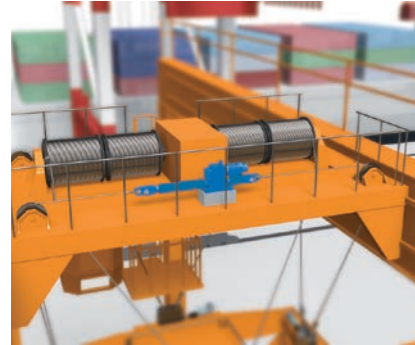
Features of Roller Supported Chain (RSC)

- 100% rolling cable carrier
- Suitable for any travel length
- Rollers decrease push/pull forces 90% on travel lengths of 50m and more compared to gliding arrangements
- Rollers do not contact each other
- Long service life, low maintenance
- High travel speed and acceleration
- Uses standard Tsubaki Kabelschlepp cable carriers
- System prevents cable carrier floating
- Rails customized to fit your connection points

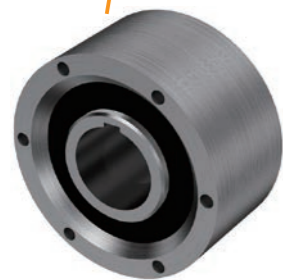
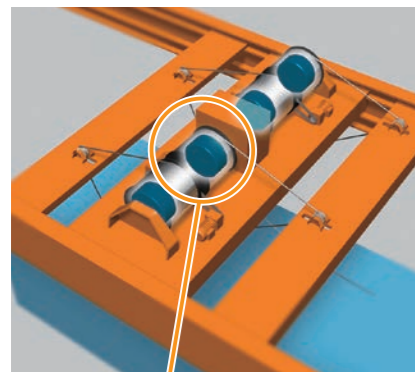


Power Cylinders & Cam Clutches

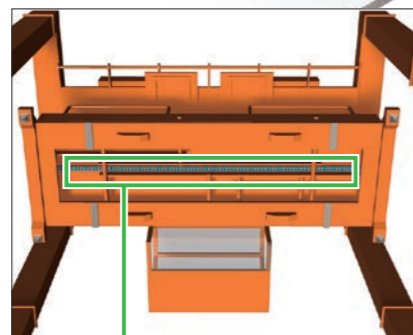
Tsubaki Power Cylinders are all-electric linear actuators that can be run with simple wiring – there is no need to run expensive hydraulic lines to power them. The benefits of no oil leaks, lower energy costs, and clean operations are driving more port users from fluid power to Tsubaki Power Cylinders worldwide.



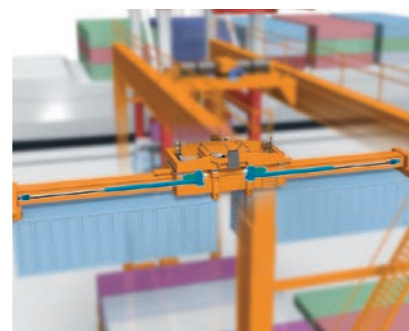
Container Tilting
Adjusts container tilting (skew, trim, and list) by moving the hoisting rope.



Anti-sway Mechanism (Cam Clutches)
Tsubaki Cam Clutches are used widely in RTG cranes in the container anti-sway mechanism. Tsubaki offers special models for precise engagement and long life, thereby increasing available operating time and reducing down time.

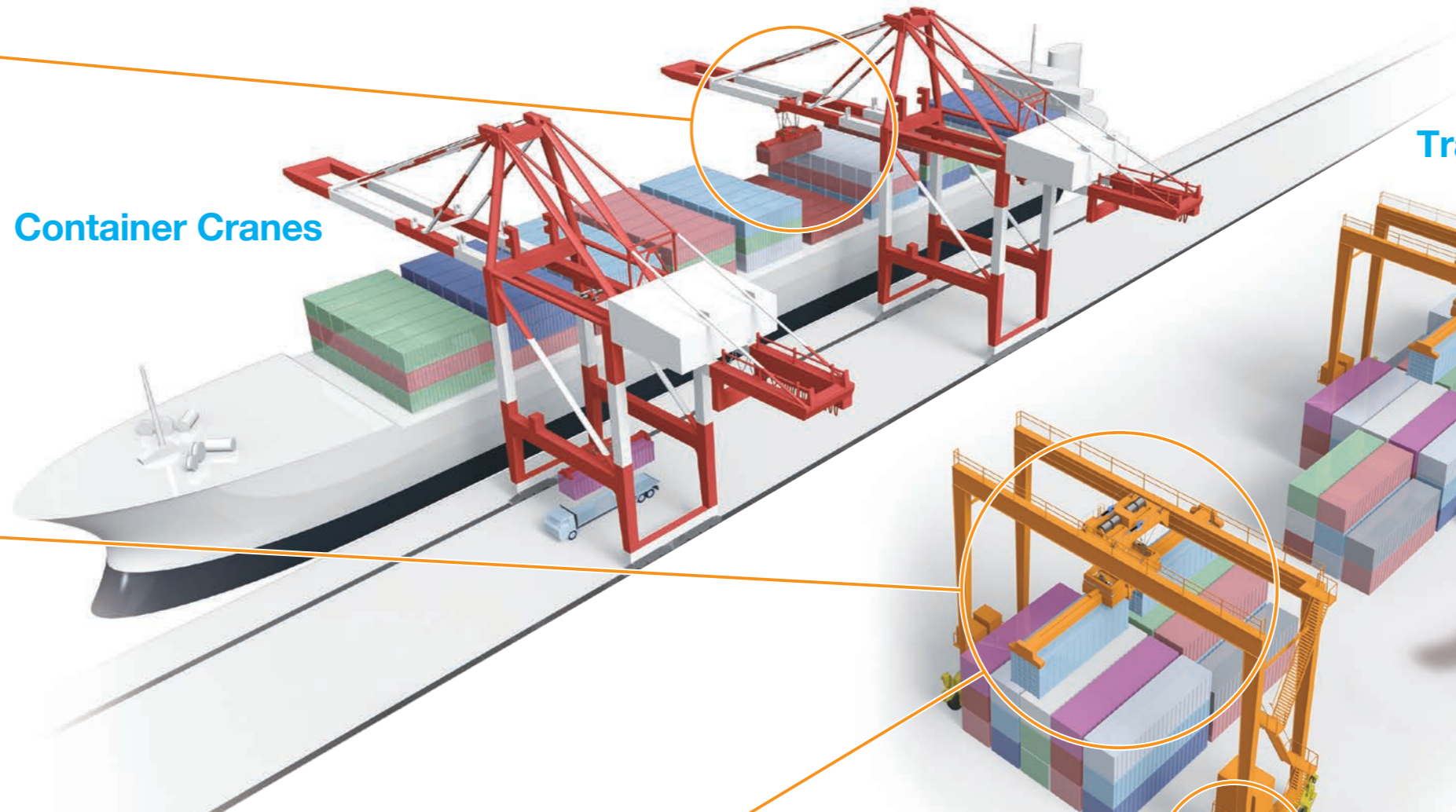


Tsubaki roller chain drives and shuts the spreader arms.



Arm Extension
Adjusts the length of the arm to match the size of the container (such as for double containers).

Container Cranes



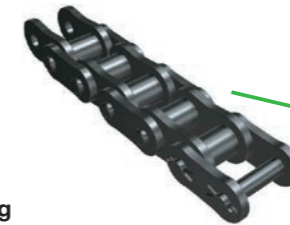
Transfer Cranes

Drive Chains

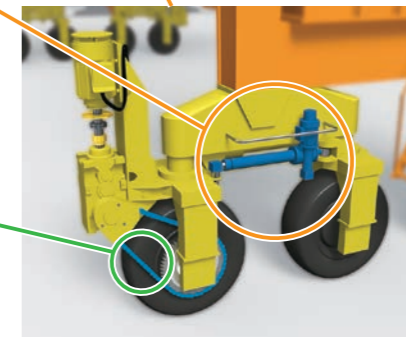
Tsubaki drive chains, including roller chains, heavy duty Super Chains, and leaf chains, can be found in port facilities around the world because they offer the best in chain performance. Port operators use Tsubaki drive chains because their excellent durability reduces replacement frequency from problems with breakage and wear.



Power Cylinders (for steering)
Power Cylinders turn RTGs by rotating the wheels 90 degrees.



Driving
Super Chains drive the rubber tires.



Lifting
Tsubaki premium leaf chains are used in container lift applications and offer high strength and long wear life. For maximum wear life, choose a recently released Tsubaki extended life leaf chain.